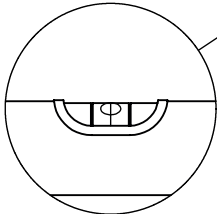
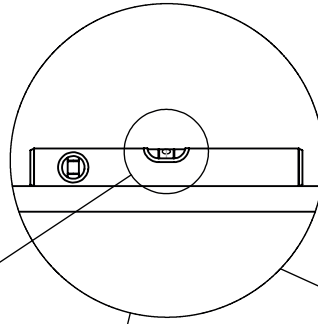


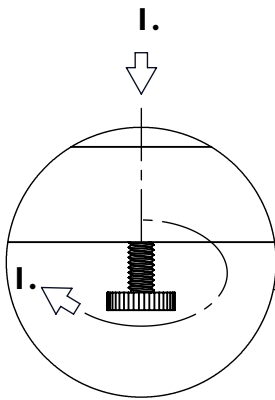
1x



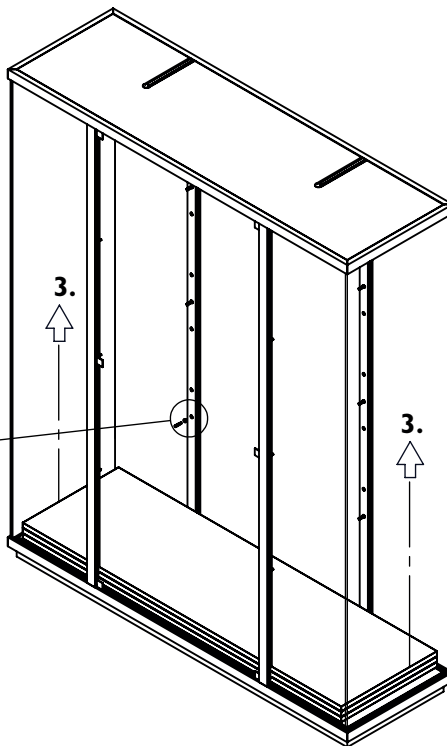
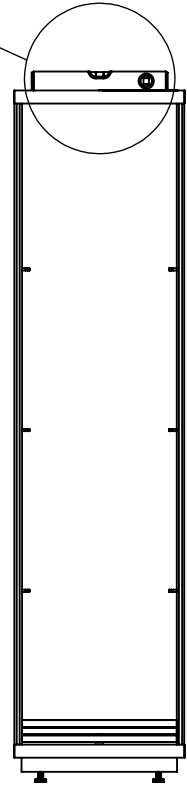
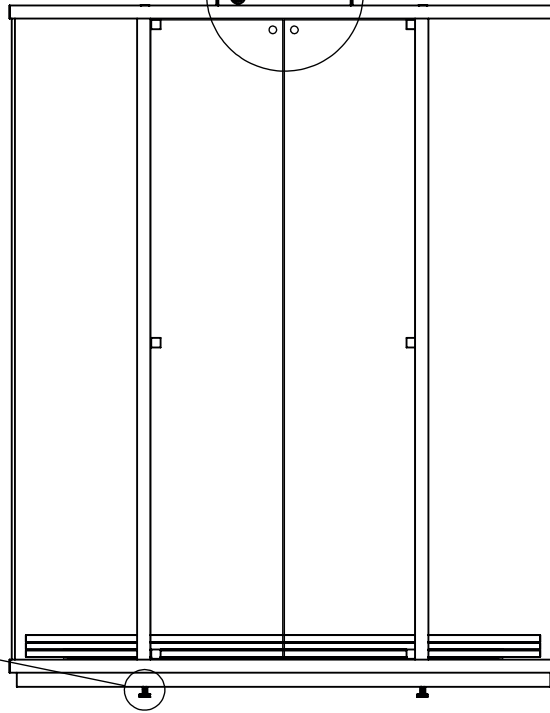
12x



1.
Check!

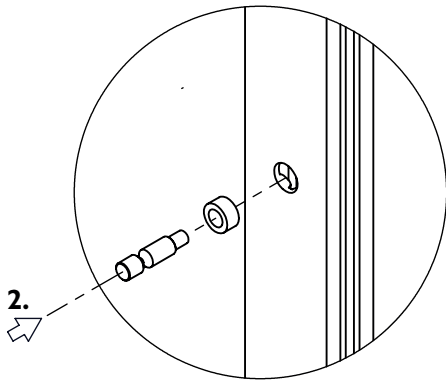


1.

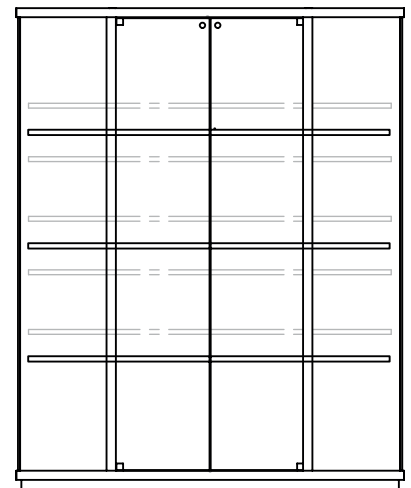


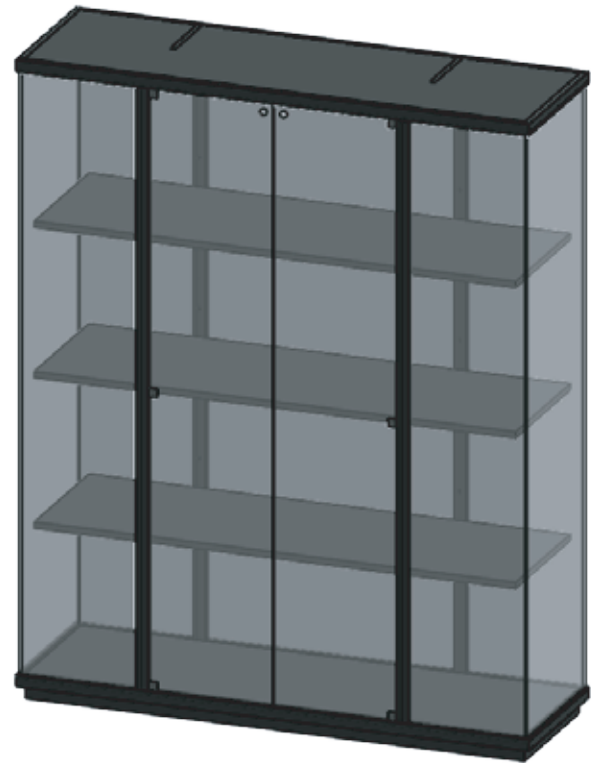
3.

3.

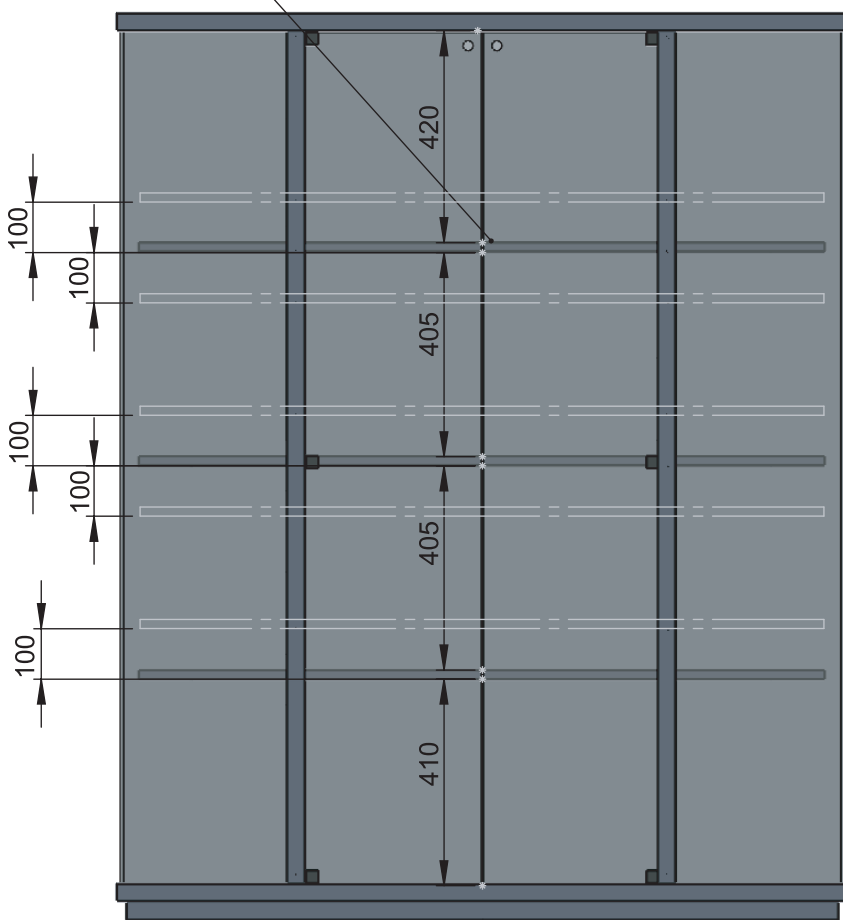


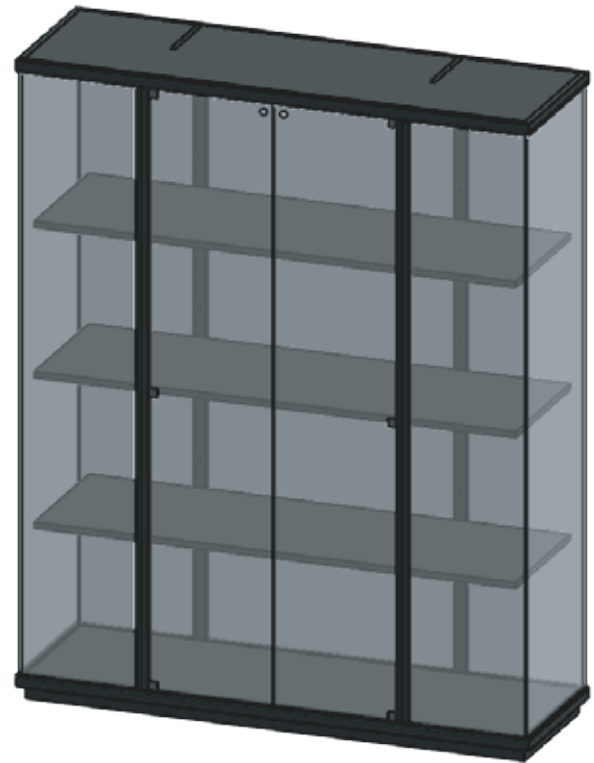
2.





adjustable shelves:
 top shelf: 100 mm up or 100 mm down
 middle shelf: 100 mm up or 100 mm down
 bottom shelves: 100 mm up





Max. 2,5 kg at the end of the shelf
 Max. 7,5 kg in the middle of the shelf
 Max. 25 kg above the supports