



auditoria



sports facilities



# vision

all rights reserved

Universal use, functionality and fine looks make the Vision seating system ideal for all kinds of facilities. Vision combines elegance, durability and ergonomic features to ensure hours of user comfort.

Vision has been used in lecture rooms, conference and training premises and other arenas and sports complexes.



The Vision Set has been awarded the Golden MTP 2006 Medal

Project: Charaziak Design Studio



auditoria



sports facilities

## General info

# vision

### Selected projects

- Adam Mickiewicz University, Poznan, Poland
- AGH University of Science and Technology Krakow, Poland
- Catholic University of Lublin, Poland
- Clerical Seminary, Rzeszow, Poland
- Higher Education School, Jaslo, Poland
- Jagiellonian University, Krakow, Poland
- nowy Targ City Hall, Poland
- School of Economics and Law (WSEiP), Kielce, Poland
- Sports and performance City Hall, Lodz, Poland
- The Pontifical Academy of Theology in Krakow, Poland
- The School of Banking and Management in Krakow, Poland
- The University of Gdansk, Poland
- University of Technology, Bialystok, Poland
- University of Rzeszow, Poland
- Velodrom, BGŻ Arena, Pruszkow, Poland
- Wroclaw University of Technology, Wroclaw, Poland



Jagiellonian University, Krakow

More photos on [www.forumseating.com](http://www.forumseating.com)

The Vision seating system, produced in the nowy Styl Group factories, is provided with full two-year guarantee. An experienced assembly team will fit the armchairs quickly and efficiently in any EU country.

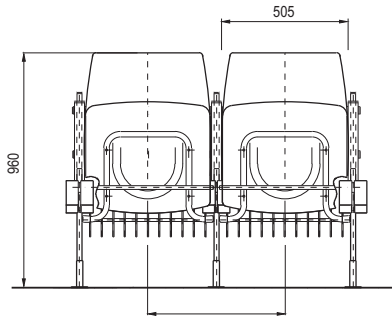
Forum Seating provides professional guarantee and post-guarantee service. Free servicing is provided every six months during the guarantee period.

## Assembly options

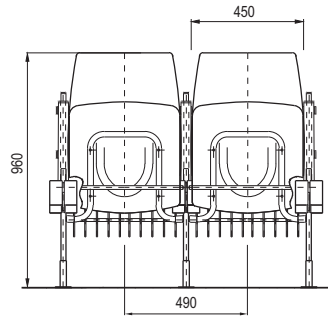
Straight rows	Segmented curve	Free-standing individual seats or units	on a flat	Raked	Tiered
✓	✓	✓ ✓	✓	✓	✓

A riser mounted version is also available.

## Measurements



ViSion



ViSion Slim

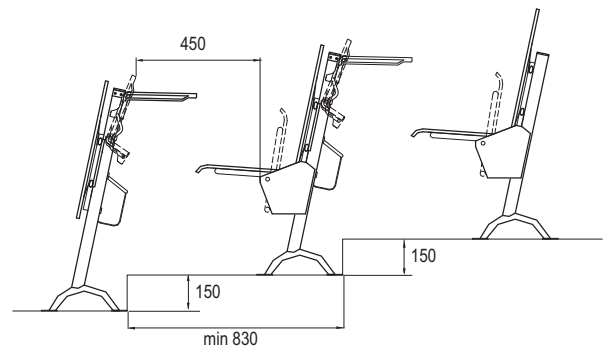
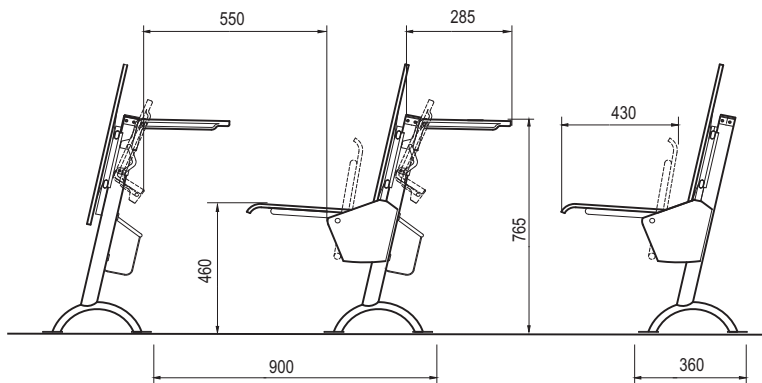
Vision is available in two widths: Vision 505 mm and Vision Slim 450 mm. The distribution of seat centres is 545 mm and 490 mm respectively.

Seat depth and height depend on the height of the step to which the chair is fitted.

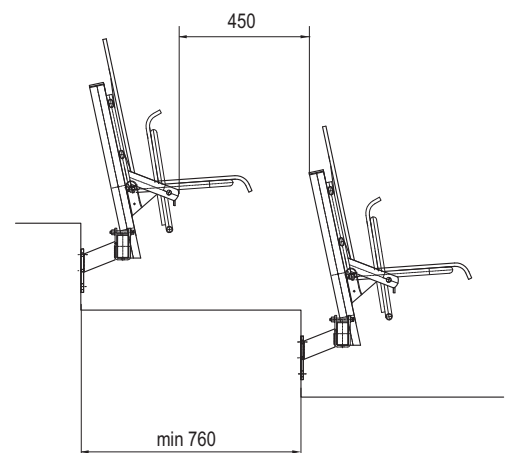
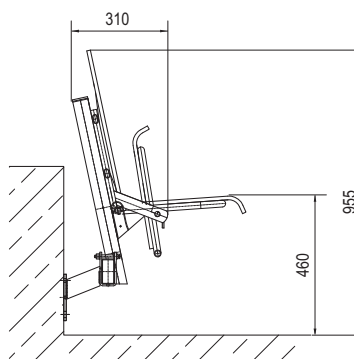
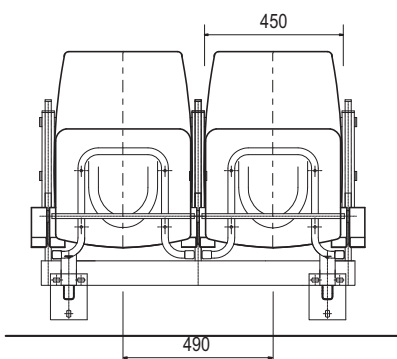
Each project will be the subject of site visits and detailed discussion.

5/5

Measurements in mm.



NEW → Vision for assembly to the step riser



## Shield of the seat-folding mechanism

- The shield, made from durable plastic, protects the mechanism from any undesirable interference, and additionally enhances its aesthetic properties. The shield is fitted to the outside of the rows.



## Back and seat

- Durable, anatomically profiled seat and back for comfortable seating position. Quality fabrics are all resistant to fire and abrasion and purpose-designed for intensive daily use\*.

## options

- Also available in plywood with upholstered arm pads or in high quality plywood.



## Seat advantages

- Ergonomic, rounded profile protects from under knee pressure, maximizing the seating comfort.



## Load-bearing construction

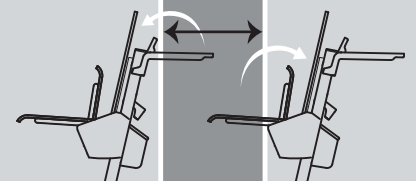
- Durable frame made of powder coated steel.

## Base

- Steel, powder coated base with holes for fitting to the floor or riser.

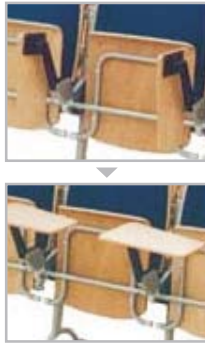
## Automatically folding seat

- Spring tip seat.
- Concealed spring mechanism allows the seat to fold automatically, for maximum user safety and comfort. The mechanism is tested to 100 000 cycles.
- The soft closing system is highly recommendable especially for cinemas, concert halls and theatres.





**Folding shelf**  
Made of two layers of profiled plywood. Complete with a handle and anti-panic safety mechanism. Horizontally adjustable (shifting sideways) writing folding shelf is also available.



**Folding writing tablet**  
made of plywood, fitted on a rotary steel arm.



**Permanently fixed shelf**, made of melamine board.



**Front modesty panel**  
Made of seven-layered plywood, optionally upholstered.



**Basket**  
Steel, chromium-plated, durable and attractive basket for a briefcase, laptop and other small objects.



**Arms**  
Steel construction with wooden arms.

**NEW:**

•Also available a special model tested for its sound absorbing properties

## Technical information

- Paints and varnishes: metal elements – powder coated or chrome plated; wooden elements painted in water varnish or stained.
- Upholstery:
 

Xtreme Plus: 100% FR, resistance to abrasion 100 000 Martindale cycles; fire resistance: En 1021 - 1(cigarette); En 1021 - 2 (match); BS 7176 Medium Hazard; BS 5852 Section 4 Crib 5; nF-P-503 M1; Din 4102 B1; Class 1.

Lucy: 100% Polyester, resistance to abrasion 50 000 Martindale cycles; fire resistance: En 1021- 1 (cigarette); En 1021 - 2 (match); BS 7176 Low Hazard; nF-P-503 M1; Din 4102 B1; BS 476 Class 1.

Rembrandt / Oban: 100% Polyolefin, resistance to abrasion 40 000 Martindale cycles; fire resistance: En 1021 - 1 (cigarette).
- Plywood: formed beech plywood, class 1 (best quality), thickness: 12 mm.
- Weight of the armchair: 18,5 kg, with each next chair in the row +15,5 kg.

## Certificates

- Strength and durability tested to En 12727.
- Fire resistance classification for the flammability of upholstered furniture, according to En 1021-1, Pn 1021- 2 standard, which classifies the product as fire resistant.
- The armchairs have been tested for their sound absorption properties, with and without the presence of audience, according to standard Pn iSo 354:– Acoustics – Measurement of sound absorption in reverberation room.

Wood finishes

Colours shown in the catalogue may differ slightly from the actual fabric colours due to the limitations of the printing process.

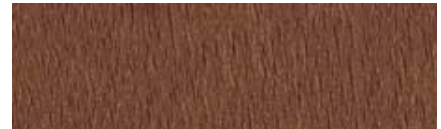
High quality beech plywood stained and finished with ecological water based lacquer



beech 1.007



cognac 1.008



dark walnut



orange 1.010



mahogany 1.016



wenge

Upholstery textiles

Xtreme Plus: 100% FR, resistance to abrasion 100 000 Martindale cycles; fire resistance: En 1021 - 1(cigarette); En 1021 - 2 (match); BS 7176 Medium Hazard; BS 5852 Section 4 Crib 5; nF-P-503 M1; Din 4102 B1; Class 1.



XR161



XR005



XR077



XR076

Lucy: 100% Polyester, resistance to abrasion 50 000 Martindale cycles; fire resistance: En 1021 - 1 (cigarette); En 1021 - 2 (matches); BS 7176 Low Hazard; nF-P-503 M1; Din 4102 B1; BS 476 Class 1.



LC131



LC130I



LC027



LC092



LC004



LC131



LC130I



LC027

Rembrandt / Oban: 100% Polyolefin, resistance to abrasion 40 000 Martindale cycles; fire resistance: En 1021 - 1 (cigarette).



R07



R61



R36



R13



R65



R09



R66



R23